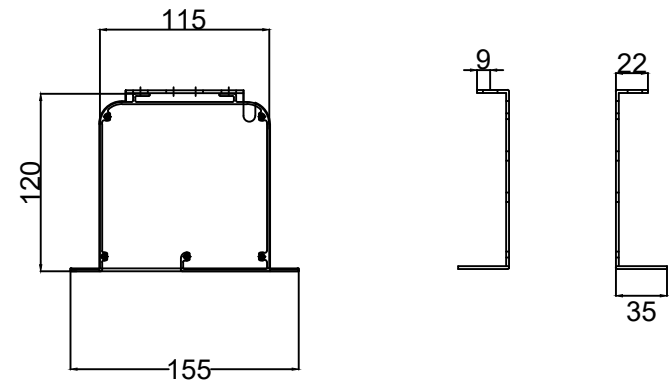


Front View

SA-R150AV/GV



Side View