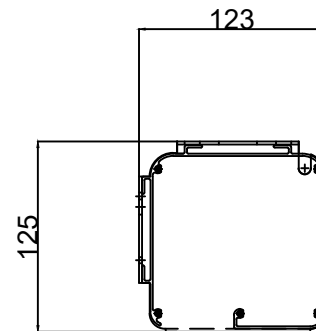


Front View

YP-NEV150AV/GV



Side View