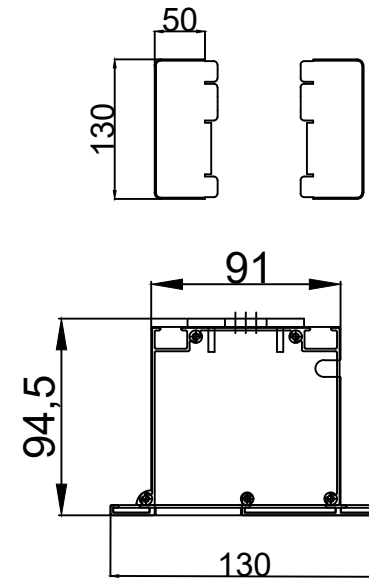


Front View

YP-REV100AV/GV



Side View